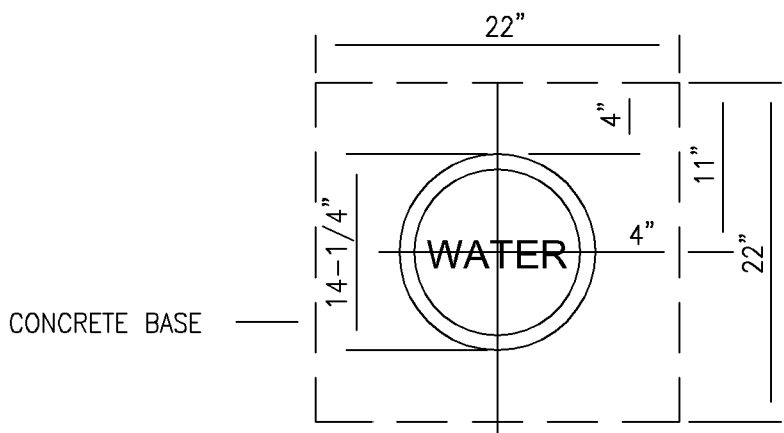
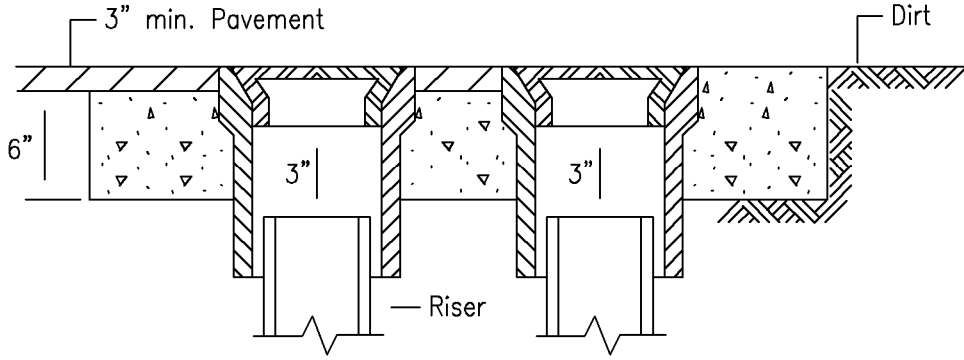
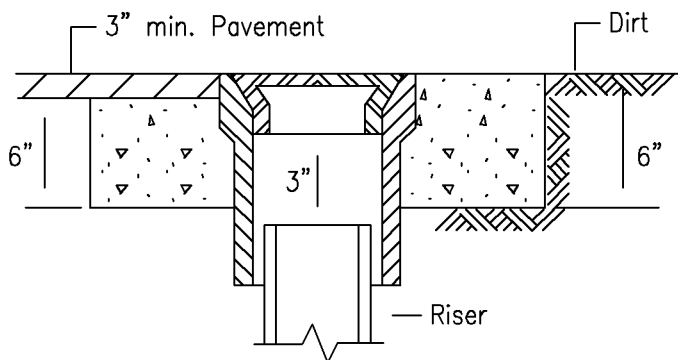


**DOUBLE VALVE BOX**



**SINGLE VALVE BOX**



- NOTE:
- VALVE BOX – Christy Type G5 Box or equal
  - COVER – Each Cover shall have cast into it the letters "WATER"
  - RISER – Will be of one piece 8" PVC Pipe
  - CONCRETE – Class A
  - VALVE BOX IN DIRT – Set Valve Box, Install concrete base even with surface

NOT TO SCALE

<b>STANDARD DETAIL</b>	<b>CITY OF BRISBANE</b> DEPARTMENT OF PUBLIC WORKS	
DATE: 04/01/08	<b>VALVE BOX &amp; RISER</b>	<b>W-11</b>